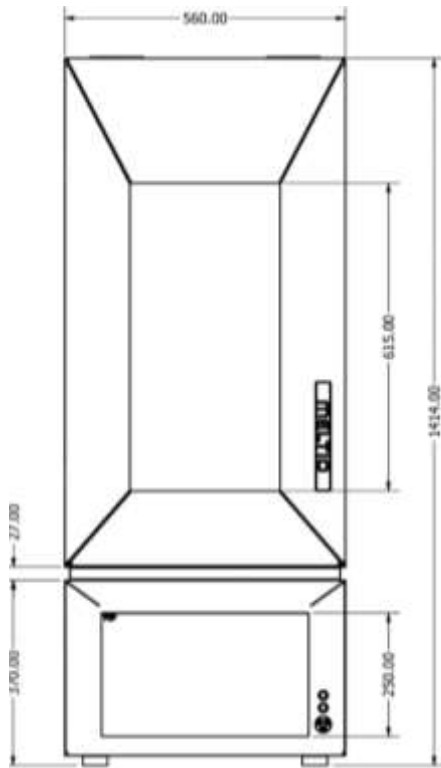


## Meltio M450



**Dimensions (W\*D\*H):**  
560\*600\*1400mm

**Print Envelope (X\*Y\*Z):**  
150\*170\*425mm

**Weight:**  
250kg

**Laser Power:**  
1200W

**Laser Type:**  
multiple 200W direct diode lasers

**Laser Wavelength:**  
976nm

**Enclosure:**  
laser-safe, sealed, controlled atmosphere

**Process Control:**  
closed-loop laser and wire modulation

**Power Input:**  
208/230V single phase or 400V three phase

**Power Consumption:**  
2-5kW peak depending on selected options

**Interface:**  
USB, ethernet, wireless datalink

**Cooling:**  
active water-cooled chiller included



## Materials

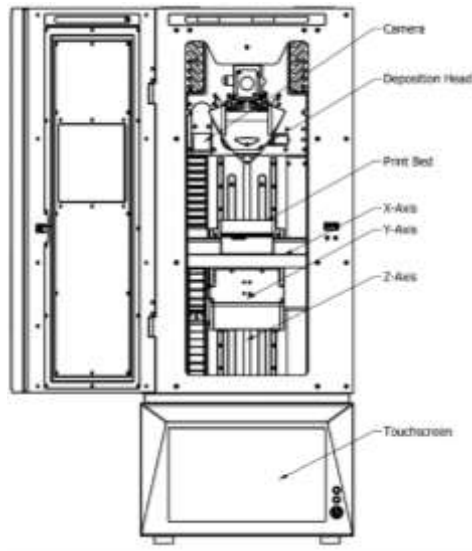
**Wire Materials:**  
stainless steel, carbon steel, titanium alloys, inconel

In development:  
copper

**Wire Feedstock:**  
0.8-1.2mm diameter

**Wire Feeds:**  
up to two K300 spools

## Meltio M450



### Upgrades and Accessories

**Hot Wire:**

programmable power supply that preheats the material before it enters the melt pool.

**Station:**

sturdy wheeled stand made from stainless steel and aluminum. Contains tool and material drawers.

**Dual Wire:**

this option allows to 3D print two wire materials sequentially with very quick wire switches.